

B R O C H U R E

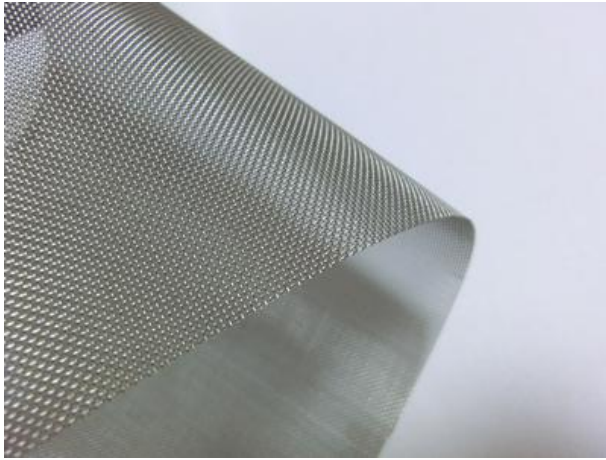


Insect Screens



Anping Web Wire Mesh Co.,Ltd.

Woven Wire Mesh For Insect Screen



Materials

Stainless Steel

SS304 is wear resisting, heat resisting, acid resisting and corrosion resisting. It is available in many variations. SS316 is a higher grade of our SS304 insect screen, it is recommended in harsh environments, especially for salt water applications.

Aluminum

Aluminum is lightweight, the silvery white color is very beautiful

Introduction

The woven wire mesh can be used as insect screen. We offer a wide variety of wire diameter and mesh count to meet customer request. The mesh provides excellent light transmission and allows good air-flow. It can be installed in panels to protect windows or doors.

Products

Stainless steel wire mesh

Aluminum wire mesh



Idea for	Screen Size	Features & Benefits
<ul style="list-style-type: none">• Windows• Door	<ul style="list-style-type: none">• 16 mesh• 18 mesh• 20 mesh	<ul style="list-style-type: none">• Strong resistance to corrosion,• Soft, nonmagnetic, ductile metal• Enables better air circulation

Technical Parameters

When ordering, please specify:

1. Weave Type

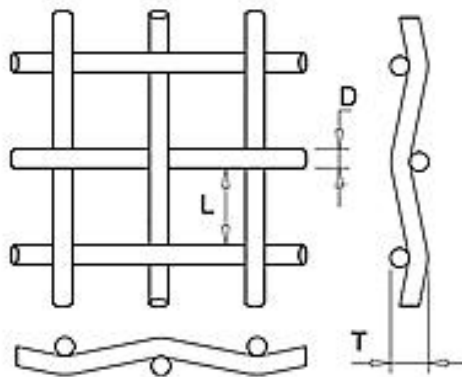
Plain weave

2. Wire Diameter (D)

3. Hole Size (L)

4. Roll Width (RW)

5. Roll Length (RL)



Plain Weave

Wire Mesh

Mesh	Wire		Aperture		Open Area	Weight
	mm	inch	mm	inch	%	Kgs/m ²
16	0.27	0.0106	1.317	0.0518	68.87	0.19
16	0.25	0.0098	1.337	0.0526	70.98	0.16
16	0.23	0.0090	1.357	0.0534	73.12	0.14
18	0.25	0.0098	1.161	0.0457	67.70	0.18
18	0.18	0.0071	1.231	0.0485	76.23	0.10
14 x 18	0.25	0.0098	-	-	-	0.16
14 x 18	0.28	0.0110	-	-	-	0.20
16 x 18	0.23	0.0090	-	-	-	0.14
16 x 18	0.25	0.0098	-	-	-	0.17
22 x 24	0.23	0.0090	-	-	-	0.20

Headquarters

Web Wire Mesh Co.,Ltd.
No.12 Weier Rd.
EZD Industrial Park
Hebei, China
Tel: +86 0318 7568801
Fax: +86 0318 7568802
Website:www.webwovenmesh.com

Branch

Web Wire Mesh Co.,Ltd.-SJZ
NO 2701 CYC
Shijiazhuang City
Hebei, China
Tel: +86 0311 89255081
E-mail: zhao@webwirecloth.com



Anping Web Wire Mesh Co.,Ltd.