

B R O C H U R E

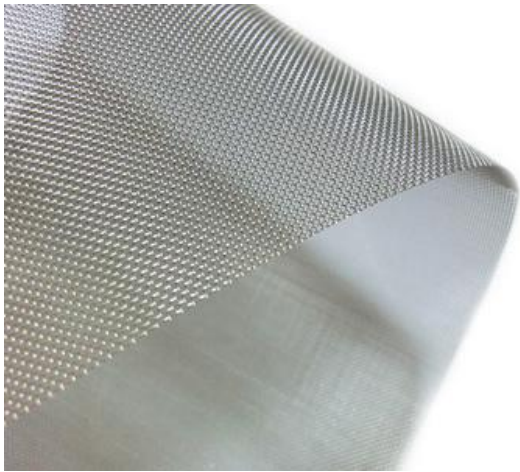


Battery Mesh



Anping Web Wire Mesh Co.,Ltd.

Woven Wire Mesh For Battery Mesh



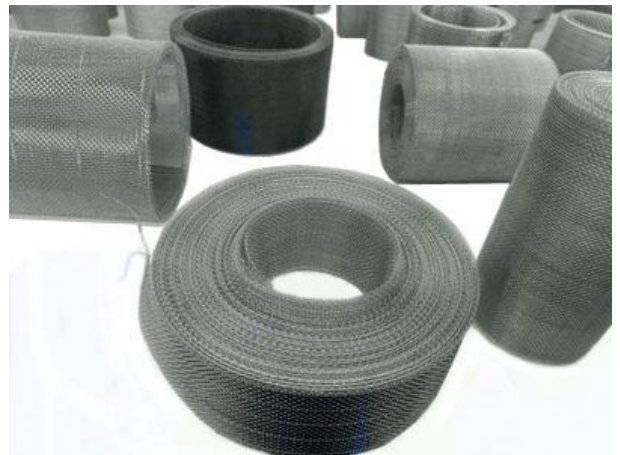
Introduction

A lightweight woven wire mesh has been investigated as an battery current collector, fuel cells, and electrolyzers. Using woven wire mesh as a current collector offers battery companies properties in battery that are not found in other products. As the mesh is made from two separate wires, it can withstand more flexure. It is ideal for electrode substrates, current collectors, flow field screens, and gas diffusion electrodes.

It can be provided as discs or cut into mesh tapes. The mesh tapes are supplied at extremely small width up to 20mm. In addition, we designed special machines to produce the finish edge mesh. The finish edge will increase the mesh stability and provide a safety edge for handling. And It will also protect the battery separator.

Products:

- Stainless steel wire mesh
- Copper wire mesh
- Nickel wire mesh



| Idea for | Screen Size | Features & Benefits |
|---|---|---|
| <ul style="list-style-type: none">Li-Ion battery (Li-Ion rechargeable battery)Lithium cell/battery (Anode Substrate)SupercapacitorRechargeable batter | <ul style="list-style-type: none">40 mesh50 mesh60 mesh | <ul style="list-style-type: none">Safety edge, no obvious burrsCopper wire, good electrical conductivity |

Technical Parameters

When ordering, please specify:

1. Weave Type

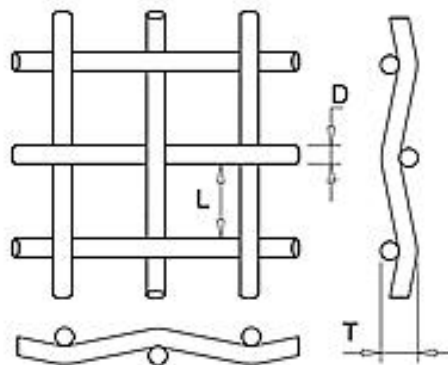
Plain weave

2. Wire Diameter (D)

3. Hole Size (L)

4. Roll Width (RW)

5. Roll Length (RL)



Plain Weave

Wire Mesh

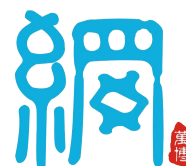
| Mesh | Wire | | Aperture | | Open Area | Weight |
|------|------|--------|----------|--------|-----------|--------------------|
| | mm | inch | mm | inch | % | Kgs/m ² |
| 40 | 0.19 | 0.0074 | 0.445 | 0.0175 | 49.11 | 0.72 |
| 50 | 0.17 | 0.0066 | 0.338 | 0.0133 | 44.26 | 0.72 |
| 60 | 0.15 | 0.0059 | 0.273 | 0.0107 | 41.68 | 0.67 |

Headquarters

Web Wire Mesh Co.,Ltd.
 No.12 Weier Rd.
 EZD Industrial Park
 Hebei, China
 Tel: +86 0318 7568801
 Fax: +86 0318 7568802
 Website:www.webwovenmesh.com

Branch

Web Wire Mesh Co.,Ltd.-SJZ
 NO 2701 CYC
 Shijiazhuang City
 Hebei, China
 Tel: +86 0311 89255081
 E-mail: zhao@webwirecloth.com



Anping Web Wire Mesh Co.,Ltd.